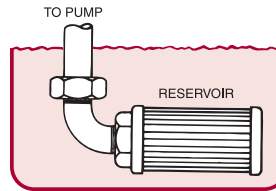
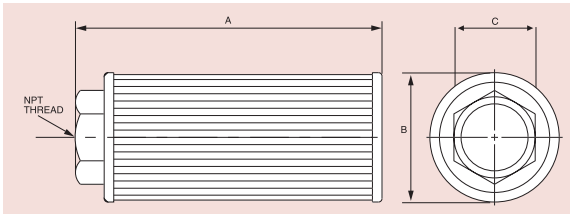


# Suction Strainer Elements

These all metal suction strainers are furnished with optimized pleat size and screen area for extended life and low pressure drop. 100 mesh stainless steel screen (140 micron) has 33.3% open area. Porting head is carbon steel, center core is plated perforated steel. End cap is heavy gauge zinc plated steel. These strainers can handle temperatures up to 250°F (121°C).

60 mesh (238 micron) and 200 mesh (74 micron) models also available – contact factory.

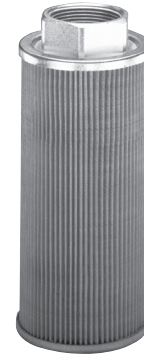


## SS Tank Mounted Suction Strainer Elements

Air Breathers

Suction Separators and Strainers

Oil Sight Glasses



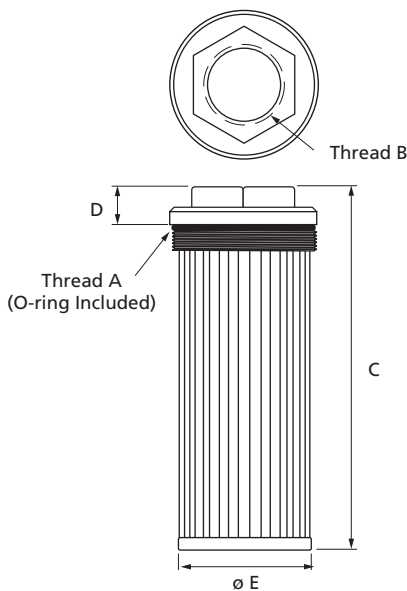
Model Number		Other Information					
Basic Model	Optional 3 psi Bypass	Pipe Size	Flow* gpm (L/min)	Dimensions			Screen Area in2 (cm2)
				A	B	C	
SS-5-100	(Omit) = None	½"	5 (19)	3.10 (79)	2.63 (67)	1.12 (28)	68 (439)
SS-75-100		¾"	8 (30)	3.55 (90)	2.63 (67)	1.31 (33)	68 (439)
SS-1-100		1"	10 (38)	5.35 (136)	2.63 (67)	1.62 (41)	112 (723)
SS-1.25-100	-3 = Bypass valve	1¼"	20 (76)	6.85 (174)	3.38 (89)	1.88 (48)	165 (1065)
SS-1.5-100		1½"	30 (114)	8.01 (204)	3.38 (89)	2.12 (54)	251 (1619)
SS-2-100		2"	50 (189)	9.85 (250)	3.94 (100)	2.75 (70)	351 (2265)
SS-2.5-100		2½" **	75 (284)	10.10 (257)	5.12 (130)	3.22 (82) Round Coupling	405 (2613)
SS-3-100		3" **	100 (379)	11.83 (300)	5.12 (130)	4.00 (102) Round Coupling	502 (3239)

\*Flow rating based on 5 FPS or less.

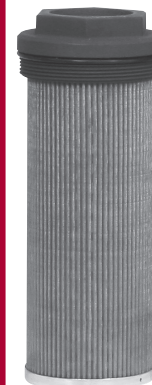
\*\*denotes coupling instead of bushing

Metric dimensions in ( ).

Examples: SS-2-100 SS suction strainer, 2" NPT, without bypass valve.  
SS-1-100-3 SS suction strainer, 1" NPT, with 3 psi bypass valve.



## SSO Tank Mounted Suction Strainer Elements



Model Code	Optional 3 psi Bypass	Per SAEJ514			GPM	Screen Area (Sq. In.)	Dimensions		
		THD A	THD B	Hex Size			C	D	ØE
SSO-20-100	(Omit) = None	2-1/2"-12	1-5/8"-12	2.13"	9	90	9.00"	0.75"	2.24"
SSO-24-100	(-3) = Bypass valve	3-3/8"-12	1-7/8"-12	2.50"	21	230	8.80"	0.90"	3.22"
SSO-32-100		3-3/8"-12	2-1/2"-12	3.00"	39	230	9.30"	0.98"	3.22"