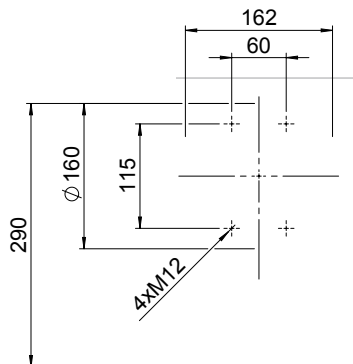
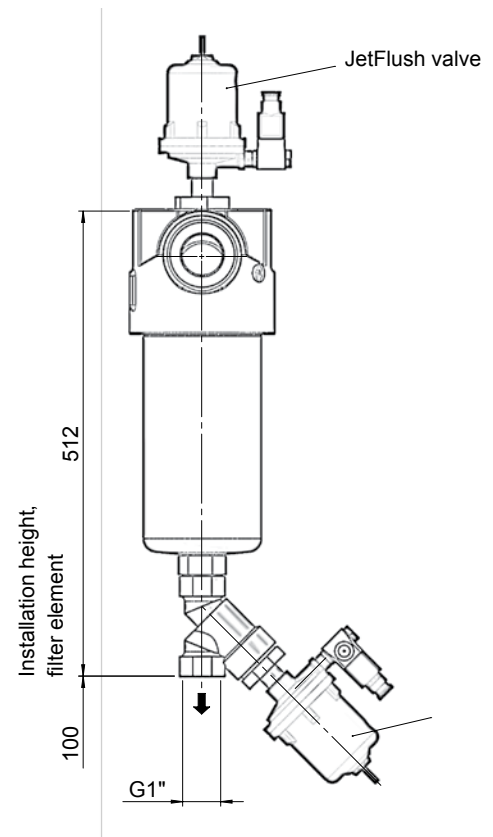
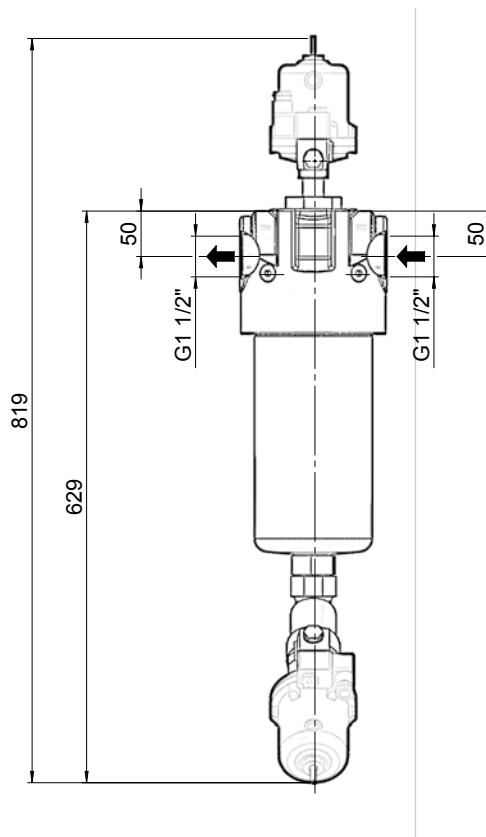


**RF12****Backflushing Filter AutoFit® RF12**21 gpm  
80 L/min145 psi  
10 bar**NOTES:**

1. Metric dimensions in ( ).
2. Drawings may change without notice. Contact factory for certified drawings.

**Specifications****Process Connection:** G 1/2" Female**Max Flow:** 21 gpm (80 L/min)**Max. Working Pressure:** 145 psi (10 bar)**Weight:** 33 lbs. (15 kg)**Housing Volume:** 0.48 gallons (1.8 L)**Filter Area:** 55 in.<sup>2</sup> (356 cm<sup>2</sup>)**No. of Filter Elements** 1**Backflush Connection:** G1" Female**Backflush Volume:** 0.79 gallons (3 L/cycle)

# Backflushing Filter AutoFilt® RF12

# RF12

## How to Build a Valid Model Number for a RF12:

BOX 1	BOX 2	BOX 3	BOX 4	BOX 5	BOX 6	BOX 7	BOX 8
RF12							

Example: NOTE: One option per box

BOX 1	BOX 2	BOX 3	BOX 4	BOX 5	BOX 6	BOX 7	BOX 8
RF12	EP0	1	S	0	10	X	KSD25

= RF12-1-EP0-1-S-0-10-X / KSD25

BOX 1	BOX 2	BOX 3	BOX 4
<b>Filter Series</b>	<b>Protective Filter</b>	<b>Material</b>	<b>Back-flushing valve</b>
RF12	EP0 = Electropneumatic control without pilot valves EP1 = Electropneumatic control incl. pilot valve 24 VDC Device connector DIN EN 175301-803 / for A (w/o mating connector) EP2 = Electropneumatic control incl. pilot valve 24 VDC Device connector M12x1 (w/o mating connector) EP3 = Electropneumatic control incl. pilot valve 230 VAC Device connector DIN EN 175301-803 / form A (w/o mating connector) EPZ3 = Electropneumatic control incl. pilot valve 230 VAC, with timer control (1 x 230V/N/PE 50 Hz) EPD3 = Electropneumatic control incl. pilot valve 230 VAC, with differential pressure control (1 x 230V/N/PE 50Hz)	1 = Filter housing: aluminum, internal parts: stainless steel	0 = Without G1" connection CO = Coaxial valve, brass KN = Ball valve, brass, nickel-plated S = Piston control valve, brass

BOX 5	BOX 6	BOX 7	BOX 8
<b>Differential Pressure Monitoring</b>	<b>Pressure Range</b>	<b>Modification Code</b>	<b>Filter Elements/ Filtration Rating</b>
0 = Without differential pressure monitoring 5 = 2x HDA 4700 stainless steel (4 - 20 mA) 7 = Fixed value 0.5 bar. Type GW, n.c. contact	10 = 145 psi (10 bar)	X = The latest version is always supplied	S = Preceded with an additional "S" for SuperFlush non-sticking coating KSS = Wedge wire 30 µm to 1000 µm KSD = SuperMesh wire mesh, sintered, 25 µm / 40 µm / 60 µm; others on request

## Filter Model Number Selection

- RF3-C
- RF3-0
- RF3-1
- RF3-2
- RF3-2.5
- RF3-3
- RF3-4
- RF3-5
- RF3-6
- RF3-7
- RF3-8
- RF5
- RF7
- RF10
- RF4
- RF4-1
- RF4-2
- RF12**
- BTU
- ATF
- PLF1
- PVD