

# Tank-Mounted Filter Kit

**LTK**



## Features and Benefits

- Special tank-mounted filter kit
- Includes: cap assembly, weld ring assembly, element and bushing
- Available with standard 18L sized element
- Bypass valve in cap assembly

**150 gpm**  
**570 L/min**  
**100 psi**  
**7 bar**

Model No. of filter in photograph is LTK-18LZ3.



**MOBILE  
VEHICLES**

## Applications

- IRF
- TF1
- KF3
- KL3
- LF1-2"
- MLF1
- RLD
- GRTB
- MTA
- MTB
- ZT
- KFT
- RT
- RTI
- LRT
- ART
- BFT
- QT
- KTK
- LTK**
- MRT

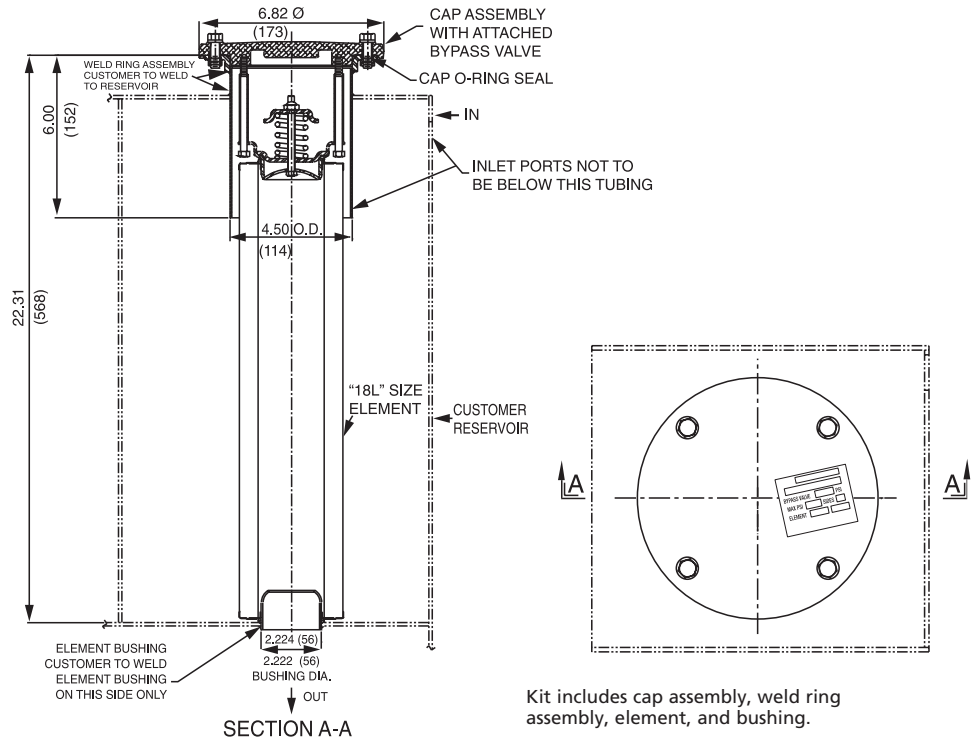
Flow Rating:	Up to 150 gpm (570 L/min) for 150 SUS (32 cSt) fluids
Max. Operating Pressure:	100 psi (7 bar) exclusive of tank design
Min. Yield Pressure:	Contact factory
Rated Fatigue Pressure:	Contact factory
Temp. Range:	-20°F to 225°F (-29°C to 107°C)
Bypass Setting:	Cracking: 25 psi (1.7 bar) Full Flow: 47 psi (3.2 bar)
Porting Cap:	Die Cast Aluminum
Weld Ring:	Steel
Element Change Clearance:	17.0" (435 mm)

## Filter Housing Specifications

Accessories for Tank-Mounted Filters

- PAF1
- MAF1
- MF2

# Tank-Mounted Filter Kit



Metric dimensions in ( ).

Kit includes cap assembly, weld ring assembly, element, and bushing.

## Element Performance Information

Element	Filtration Ratio Per ISO 4572/NFPA T3.10.8.8 Using automated particle counter (APC) calibrated per ISO 4402			Filtration Ratio wrt ISO 16889 Using APC calibrated per ISO 11171	
	$\beta_x \geq 75$	$\beta_x \geq 100$	$\beta_x \geq 200$	$\beta_x(c) \geq 200$	$\beta_x(c) \geq 1000$
18L3	6.8	7.5	10.0	N/A	N/A
18L10	15.5	16.2	18.0	N/A	N/A
18LZ1	<1.0	<1.0	<1.0	<4.0	4.2
18LZ3	<1.0	<1.0	<2.0	<4.0	4.8
18LZ5	2.5	3.0	4.0	4.8	6.3
18LZ10	7.4	8.2	10.0	8.0	10.0
18LZ25	18.0	20.0	22.5	19.0	24.0

## Dirt Holding Capacity

Element	DHC (gm)
18L3	110
18L10	88
18LZ1	249
18LZ3	255
18LZ5	191
18LZ10	240
18LZ25	217

Element Collapse Rating: 150 psid (10 bar)  
 Flow Direction: Outside In  
 Element Nominal Dimensions: 4.0" (100 mm) O.D. x 18.5" (470 mm) long

# Tank-Mounted Filter Kit



Type Fluid	Appropriate Schroeder Media
Petroleum Based Fluids	All E media (cellulose) and Z-Media® (synthetic)
High Water Content	All Z-Media® (synthetic)
Invert Emulsions	10 and 25 µ Z-Media® (synthetic)
Water Glycols	3, 5, 10 and 25 µ Z-Media® (synthetic)
Phosphate Esters	All Z-Media® (synthetic) with H (EPR) seal designation and 3 and 10 µ E media (cellulose) with H (EPR) seal designation
Skydrol®	3, 5, 10 and 25 µ Z-Media® (synthetic) with H.5 seal designation (EPR seals and stainless steel wire mesh in element, and light oil coating on housing exterior)

## Fluid Compatibility

Skydrol® is a registered trademark of Solutia Inc.

- IRF
- TF1
- KF3
- KL3
- LF1-2"
- MLF1
- RLD
- GRTB
- MTA
- MTB
- ZT
- KFT
- RT
- RTI
- LRT
- ART
- BFT
- QT
- KTK
- LTK**
- MRT
- Accessories for Tank-Mounted Filters
- PAF1
- MAF1
- MF2

### $\Delta P_{\text{element}}$

$$\Delta P_{\text{element}} = \text{flow} \times \text{element } \Delta P \text{ factor} \times \text{viscosity factor}$$

El.  $\Delta P$  factors @ 150 SUS (32 cSt):

	18L
18LZ1	.10
18LZ3	.05
18LZ5	.04
18LZ10	.03
18LZ25	.02

If working in units of bars & L/min, divide above factor by 54.9.

Viscosity factor: Divide viscosity by 150 SUS (32 cSt).

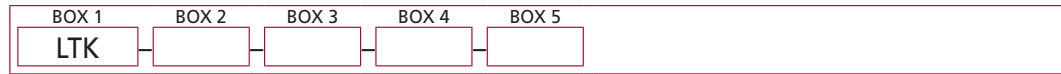
## Pressure Drop Information

Based on Flow Rate and Viscosity

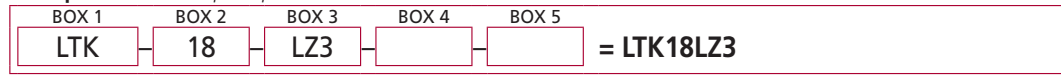
Notes

**Filter Model Number Selection**

**How to Build a Valid Model Number for a Schroeder LTK:**



**Example:** NOTE: One option per box



BOX 1	BOX 2	BOX 3	BOX 4
<b>Filter Series</b>	<b>Length of Element (in)</b>	<b>Element Size and Media</b>	<b>Seal Material</b>
LTK	18	L3 = L size 3 μ E media (cellulose) L10 = L size 10 μ E media (cellulose) L25 = L size 25 μ E media (cellulose) LZ1 = L size 1 μ Excellement® Z-Media® (synthetic) LZ3 = L size 3 μ Excellement® Z-Media® (synthetic) LZ5 = L size 5 μ Excellement® Z-Media® (synthetic) LZ10 = L size 10 μ Excellement® Z-Media® (synthetic) LZ25 = L size 25 μ Excellement® Z-Media® (synthetic)	Omit = Buna N H = EPR W = Buna N H.5 = Skydrol® Compatibility

BOX 5	
Dirt Alarm® Options	
	Omit = None
Visual	Y2C = Bottom-mounted gauge in cap

**NOTES:**

Box 2. Replacement element part numbers are a combination of Boxes 2, 3, and 4.  
 Example: 18LZ3H

Box 4. For options H and W, cap is anodized.  
 H.5 seal designation includes the following:  
 EPR seals, stainless steel wire mesh on elements, and light oil coating on housing exterior.  
 Skydrol® is a registered trademark of Solutia Inc.