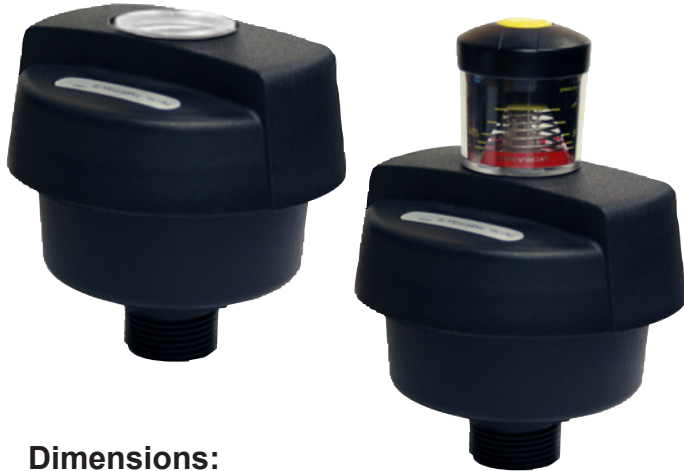


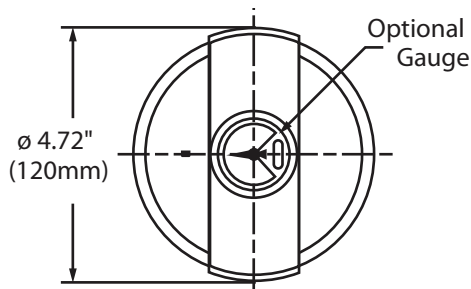
PABR7 Breather



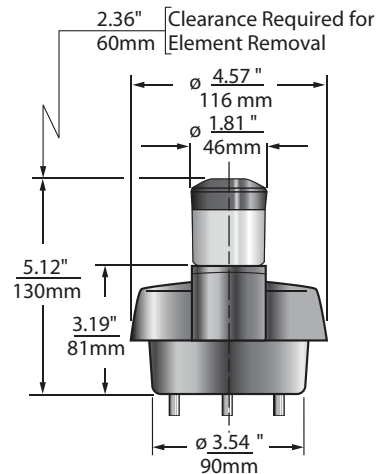
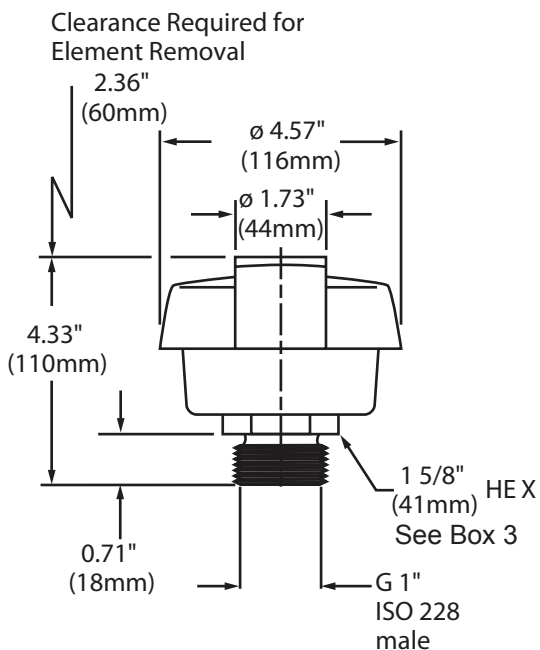
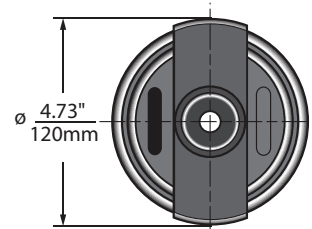
Specifications:

- Maximum flow rate - 65 SCFM / 500 GPM
- Durable synthetic material (Nylon 6)
- 3µm filtration rating
- Replaceable filter phenolic resin impregnated filter element
- Threaded breather cap connection
- Optional visual indicator
- Integrated anti-splash insert

Dimensions:



Dimensions:



Schroeder
INDUSTRIES

580 West Park Road | Leetsdale, PA 15056
ph. 724.318.1100 | fax 724.318.1200

How to Build a Valid Model Number for a Schroeder PABR7:

BOX 1	BOX 2	BOX 3	BOX 4	BOX 5	BOX 6	
PABR7	-		-		-	

Example: NOTE: One option per box

BOX 1	BOX 2	BOX 3	BOX 4	BOX 5	BOX 6						
PABR7	-	P	-	3	-	N	-	.75	-	AS	= PABR7P3N.75AS

BOX 1	BOX 2	BOX 3	BOX 4	BOX 5	BOX 6
Model Number	Connection Type	Filtration Rating	Gauge Option	Connection Size	Options
PABR7	P = NPT S = SAE	3	N = No Gauge W = With Gauge	.75 = NPT Only 16 = SAE Only	AS = Anti-Splash Omit = None

Replacement Elements: R-PAB7-3

Replacement Elements: R-PABR7-3

* Same day shipment model.
Contact factory for lead time and minimum order quantity for other models.