

SAB35 and SABS35 Breathers



SAB35

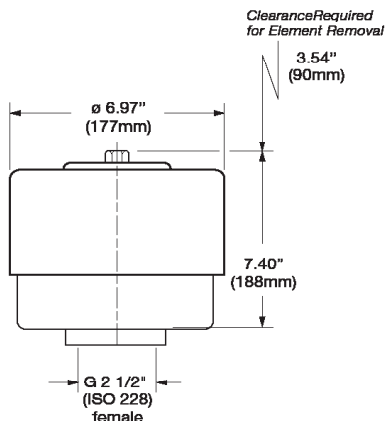


SABS35

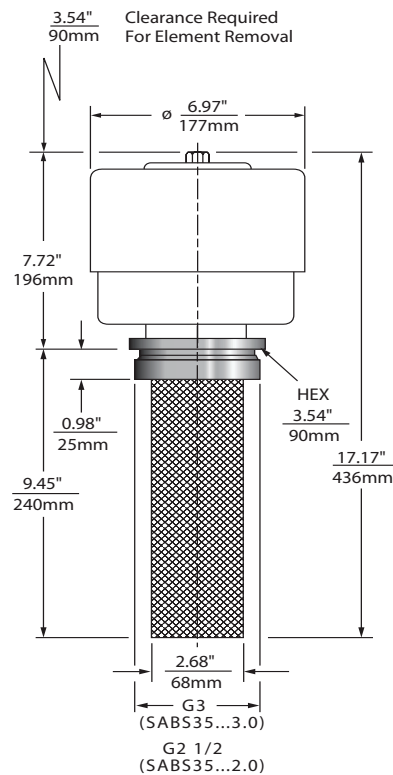
Specifications:

- Max Flow Rate 350 SCFM / 2650 GPM
- Steel housing
- 3µm filtration rating
- Replaceable element
- G2 1/2" female threaded connection
- Phenolic resin impregnated filter element
- Removeable lid to access fill port

Dimensions:



Dimensions:



SABS35

Schroeder
INDUSTRIES

580 West Park Road | Leetsdale, PA 15056
ph. 724.318.1100 | fax 724.318.1200

How to Build a Valid Model Number for a Schroeder SAB35:

BOX 1	BOX 2	BOX 3	BOX 4	BOX 5	BOX 6
<input type="text"/>	<input type="text"/>	<input type="text"/>	<input type="text"/>	<input type="text"/>	<input type="text"/>

Example: Note: Only one option per box

BOX 1	BOX 2	BOX 3	BOX 4	BOX 5	BOX 6	
SAB35	R	G	3	N	2.5	= SAB52RG3N2.5

Model Code for the SAB35:

Box 1	Box 2	Box 3	Box 4	Box 5
Model Number	Replacement Elements	Connection Type	Filtration Rating	Gauge Option
SAB35	R - Replaceable Elements	G - BSPP	3	N - No Gauge

Box 6
Connection Size
2.5 - Female BSPP

Model Code for the SABS35:

Box 1	Box 2	Box 2	Box 3	Box 4
Model Number	Replacement Elements	Connection Type	Filtration Rating	Gauge Option
SABS35	R - Replaceable Elements	G - BSPP	3	N - No Gauge

Box 5
Connection Size
2.5 - Female BSPP

Replacement Elements: R-SAB22-3

* Same day shipment model. Contact factory for lead time and minimum order quantity for other models.