



Fuel Filtration

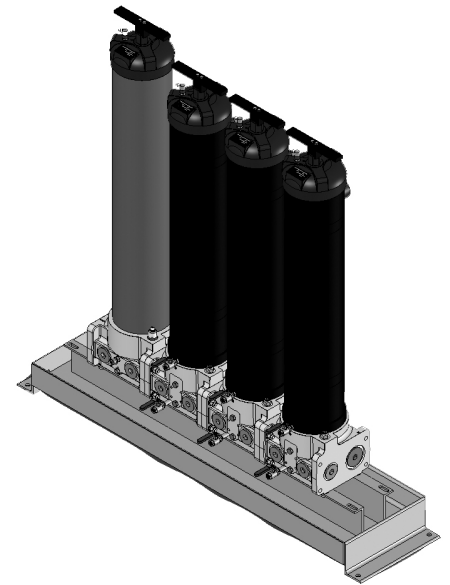
For Immediate Release

SCHROEDER INDUSTRIES INTRODUCES BULK DIESEL MULTI-SKID | BDS3

March 2016 | Leetsdale, PA

Leetsdale, PA - Schroeder Industries, a recognized leader in filtration and fluid conditioning products, releases the Bulk Diesel Fuel Filter Skid | BDS3 for flow rates up to 210 gpm.

The In-line Bulk Diesel Skid BDS family, consisting of the BDS (up to 70 gpm) and BDS2 (up to 140 gpm), has been expanded with the BDS3 (up to 210 gpm). The BDS3 incorporates one particulate filter and three coalescing filters for high efficient single-pass particulate and water removal. The BDS3, like the other two units, is available with optional Water Sump Heater and Automatic Water Drain with 5 or 20 gallon remote sump.



BDS3

About Schroeder Industries

Schroeder Industries, an ISO 9001: 2008 certified company, designs, manufactures and markets filtration products for the hydraulic and lubrication, filter systems, process and fuel industries. Their expertise in filtration technology, superior filter and element technology capabilities, dedication to customer service and product support are the reasons Schroeder is a worldwide leader in Advanced Fluid Conditioning Solutions®.

Contact: Fueiltrationmanager@schroederindustries.com

For further information about Schroeder Industries and its products, please call 724-318-1100 or visit: www.schroederindustries.com

Schroeder Industries | 580 West Park Road | Leetsdale | PA | 15056