

D5 Indicator

Introduction

As part of Schroeder's commitment to "continuously improve", our D5 visual pop-up indicator was redesigned in November 2008. The new design offers improved performance, is impervious to water and dust, and is easier to install in the field.

Note that an additional indicator, the D10, is also available. The D5 is a latching indicator; the D10 is a non-latching style, meaning that it has no memory; ie, the indicator setting is lost when the operating system is shut down. Please be advised that there is a slight increase in the height of the new indicators, which amounts to 0.40 inches for the D5 and 0.28 inches for the D10.

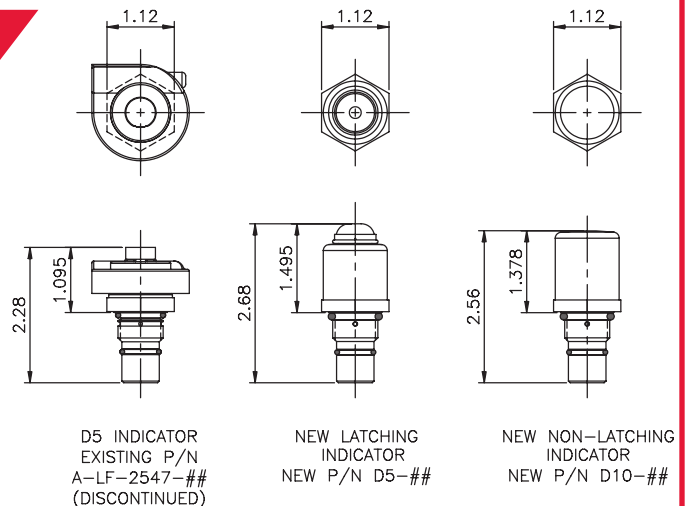
The illustration at the right provides a comparison of the old vs. new D5 indicator.

There is no change in the way the new indicator is specified in the filter assembly part number. However, the new D5 has a part numbering scheme when purchased as a separate item. The D5 indicator is available with different bypass settings. A cross reference of part numbers for the old style D5 to the new style D5 when purchased as a stand alone item are provided on the reverse side.



Advantages

- Easier to install (the new D5 indicator is supplied as a single assembly and can now be installed in a single operation instead of installing it in pieces)
- Improved performance (the mode of operation results in a clearly discernible red or green color indication, eliminating any guesswork on the part of the user)
- Improved design (the new design is completely sealed and is waterproof and dust proof)



Schroeder
INDUSTRIES

580 West Park Road | Leetsdale, PA 15056
ph. 724.318.1100 | fax 724.318.1200



An ISO 9001:2008 Certified Company

www.schroederindustries.com

Indicator Part Number Key

| Indicator Style | Seal Material | Body Material | Bypass Setting |
|-------------------------------------|---------------------------------------|--|--|
| D5 = Latching D10 = Non-latching | Omit = Buna N V = Viton B = EPR | Omit = Anodized Aluminum SS = Stainless steel | -10 = 10 psi -15 = 15 psi -20 = 20 psi -25 = 25 psi -30 = 30 psi -40 = 40 psi -50 = 50 psi -60 = 60 psi -75 = 75 psi -90 = 90 psi |

Cross Reference of Old to New Indicator Part Numbers

The following charts provide a cross reference that can be used to determine the new indicator part number when purchased as a stand alone item. Please note that the non-latching D10 was previously not available and for the most part has no old part number.

D5 - Latching Indicator

| Anodized Aluminum | | Stainless Steel | |
|-------------------|---------|-----------------|----------|
| Old P/N | New P/N | Old P/N | New P/N |
| BUNA-N SEALS | | BUNA-N SEALS | |
| A-LF-2547-10 | D5-10 | | D5SS-10 |
| A-LF-2547-15 | D5-15 | | D5SS-15 |
| | D5-20 | | D5SS-20 |
| A-LF-2547-25 | D5-25 | | D5SS-25 |
| A-LF-2547# | D5-30 | A-LF-8030-30 | D5SS-30 |
| A-LF-2547 | D5-30 | A-LF-2547SS | D5SS-30 |
| A-LF-2547-40 | D5-40 | A-LF-2547SS# | D5SS-30 |
| A-LF-2547-40# | D5-40 | A-LF-8030-40 | D5SS-40 |
| A-LF-2547-50 | D5-50 | A-LF-8030-40# | D5SS-40 |
| A-LF-2547-50# | D5-50 | A-LF-2547SS-40 | D5SS-40 |
| A-LF-2547-60 | D5-60 | A-LF-8030-50 | D5SS-50 |
| | D5-75 | A-LF-2547-50SS | D5SS-50 |
| A-LF-2547-90 | D5-90 | A-LF-2547-50SS# | D5SS-50 |
| A-LF-2547-90# | D5-90 | A-LF-8030-50# | D5SS-50 |
| | | | D5SS-60 |
| VITON SEALS | | | D5SS-75 |
| | D5V-10 | | D5SS-90 |
| | D5V-15 | VITON SEALS | |
| | D5V-20 | | D5VSS-10 |
| | D5V-25 | | D5VSS-15 |
| A-LF-2547V# | D5V-30 | | D5VSS-20 |
| A-LF-2547V-40# | D5V-40 | | D5VSS-25 |
| | D5V-50 | | D5VSS-30 |
| A-LF-2547V-60 | D5V-60 | A-LF-2547SSV# | D5VSS-30 |
| A-LF-2547V-60# | D5V-60 | | D5VSS-40 |
| | D5V-75 | A-LF-8030V-50 | D5VSS-50 |
| | D5V-90 | A-LF-2547V-SS50 | D5VSS-50 |
| | | | D5VSS-60 |
| EPR SEALS | | | D5VSS-75 |
| | D5B-10 | | D5VSS-90 |
| | D5B-15 | EPR SEALS | |
| | D5B-20 | | D5BSS-10 |
| | D5B-25 | | D5BSS-15 |
| A-LF-2547B# | D5B-30 | | D5BSS-20 |
| A-LF-2547B-40# | D5B-40 | | D5BSS-25 |
| | D5B-50 | | D5BSS-30 |
| | D5B-60 | | D5BSS-40 |
| | D5B-75 | | D5BSS-50 |
| | D5B-90 | | D5BSS-60 |
| | | | D5BSS-75 |
| | | | D5BSS-90 |

D10 - Non-Latching Indicator

| Anodized Aluminum | | Stainless Steel | |
|-------------------|---------|-----------------|-----------|
| Old P/N | New P/N | Old P/N | New P/N |
| BUNA-N SEALS | | BUNA-N SEALS | |
| | D10-10 | | D10SS-10 |
| | D10-15 | | D10SS-15 |
| | D10-20 | | D10SS-20 |
| | D10-25 | | D10SS-25 |
| | D10-30 | | D10SS-30 |
| A-LF-7421-40 | D10-40 | | D10SS-40 |
| | D10-50 | | D10SS-50 |
| | D10-60 | | D10SS-60 |
| | D10-75 | | D10SS-75 |
| | D10-90 | | D10SS-90 |
| VITON SEALS | | VITON SEALS | |
| | D10V-10 | | D10VSS-10 |
| | D10V-15 | | D10VSS-15 |
| | D10V-20 | | D10VSS-20 |
| | D10V-25 | | D10VSS-25 |
| | D10V-30 | | D10VSS-30 |
| | D10V-40 | | D10VSS-40 |
| | D10V-50 | | D10VSS-50 |
| | D10V-60 | | D10VSS-60 |
| | D10V-75 | | D10VSS-75 |
| | D10V-90 | | D10VSS-90 |
| EPR SEALS | | EPR SEALS | |
| | D10B-10 | | D10BSS-10 |
| | D10B-15 | | D10BSS-15 |
| | D10B-20 | | D10BSS-20 |
| | D10B-25 | | D10BSS-25 |
| | D10B-30 | | D10BSS-30 |
| | D10B-40 | | D10BSS-40 |
| | D10B-50 | | D10BSS-50 |
| | D10B-60 | | D10BSS-60 |
| | D10B-75 | | D10BSS-75 |
| | D10B-90 | | D10BSS-90 |