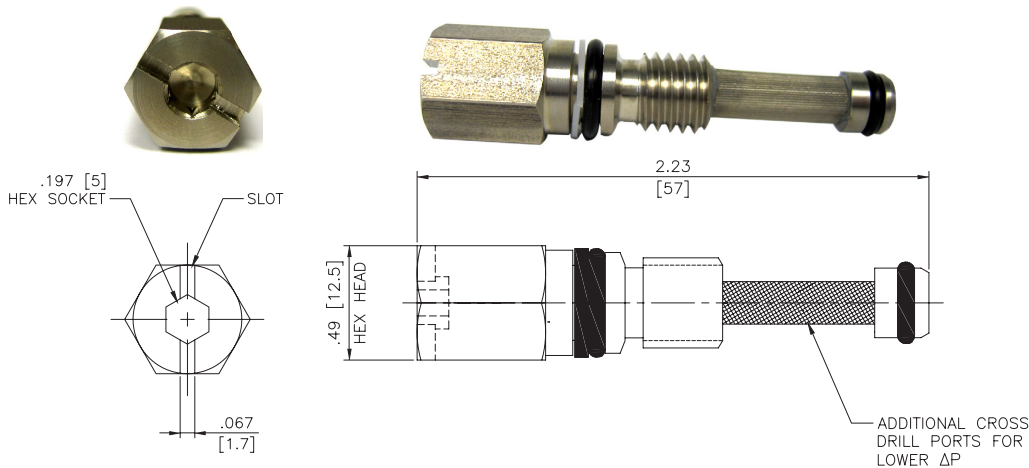


Longwall Shield Replacement Element

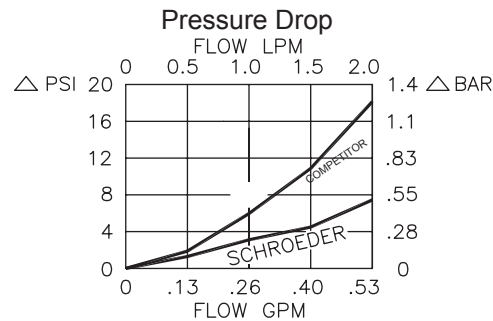
Schroeder Part Number: MSB-3176-225B (25 μ)

Replacement for 4UC-3176-000 element



Technical Specifications

Max. Pressure:	5,000 psi (350 bar)
Max. Differential Pressure:	5,000 psid (350 bar)
Competition fails at:	1500 psid (103 bar)
Max Flow Rate:	0.5 GPM (2 L/min)
Filter Rating:	25 micron
Material (Body):	Stainless Steel
Metal Mesh:	Stainless Steel Wrap
O-Ring:	Buna N
Back-Up Ring:	Nylon



Advantages

- 5 mm hex**
 5 mm internal hex cavity and slot incorporated into the element end cap for easier element removal.
- Lower pressure drop**
 Extra cross drill ports beneath element media result in increase flow and therefore lower pressure drop across element, up to 1/3 less than that of the competition's equivalent.
- Proven Schroeder quality**
 Schroeder has been providing contamination solutions to the mining industry for over 50 years.
- Factory & field support**
 Dedicated specifically to the mining industry.

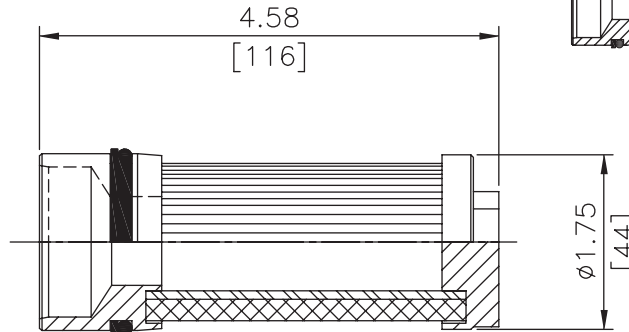
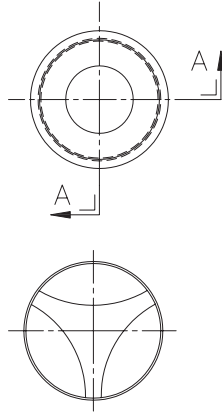
Schroeder
INDUSTRIES

580 West Park Road | Leetsdale, PA 15056
ph. 724.318.1100 | fax 724.318.1200

Longwall Shield Replacement Element

Schroeder Part Number: MSB-3077-525B (25 μ) & MSB-3077-540B (40 μ)

Replacement for 4UC-3077-020 & 4UC 3077-021 elements

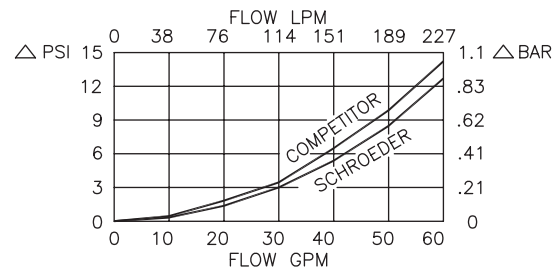


shown with optional outer support ring

Technical Specifications

Max. Pressure:	5,000 psi (350 bar)
Max Flow Rate:	40 GPM (150 L/min)
Filter Rating:	25/40 micron
Material:	Stainless Steel
End Caps, Support Tubes	
Metal Mesh:	Stainless Steel Pleated
O-Ring:	Buna N
Back-Up Ring:	Nylon

Pressure Drop



Advantages

- Outer Optional Support Ring**
 Optional outer support ring to prevent bulding if system backflushing occurs.
- Plasma Weld**
 Plasma seam weld instead of epoxy provides better pleat stability and more working surface area.
- Lower pressure drop**
 Better media construction results in lower pressure drop across element.
- Proven Schroeder quality**
 Schroeder has been providing contamination solutions to the mining industry for over 50 years.
- Factory & field support**
 Dedicated specifically to the mining industry.

Schroeder
INDUSTRIES

580 West Park Road | Leetsdale, PA 15056
ph. 724.318.1100 | fax 724.318.1200



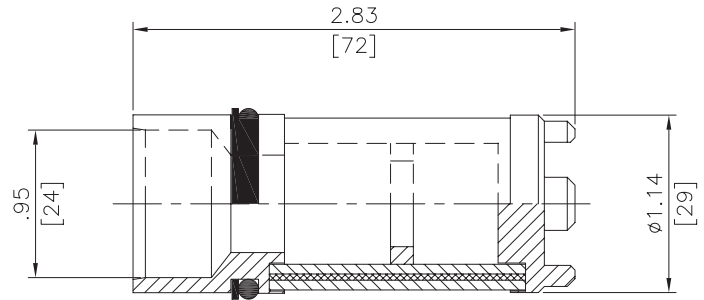
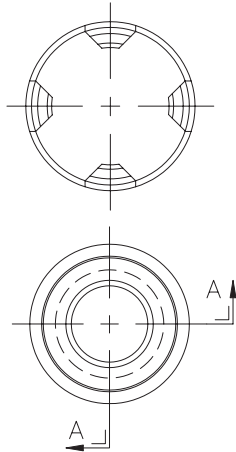
An ISO 9001:2008 Certified Company

www.schroederindustries.com

Longwall Shield Replacement Element

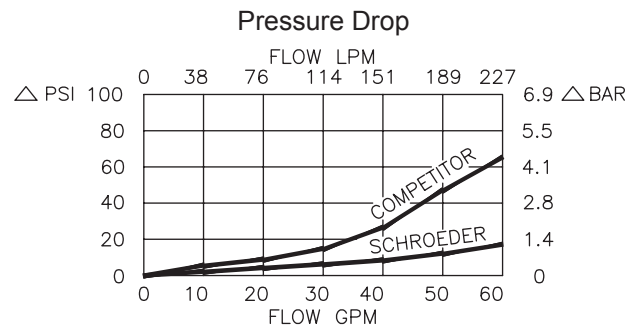
Schroeder Part Number: MSB-1330-325B (25 μ), MSB-1330-340B (40 μ), MSB-1330-380B (80 μ) & MSB-1330-100B (100 μ)

Replacement for 4UC 1330-022 (25 μ), 4UC 1330-020 (40 μ), 4UC 1330-021 (80 μ) & 4UC 1330-023 (100 μ) elements



Technical Specifications

Max. Pressure:	6,000 psi (400 bar)
Max Differential Pressure:	5000 psid (350 bar)
Max Flow Rate:	48 GPM (180 L/min)
Filter Rating:	25/40/80/100 micron
Material:	Stainless Steel
End Caps, Support Tubes Support Ring	
Metal Mesh:	Stainless Steel Wrap
O-Ring:	Buna N
Back-Up Ring:	Nylon



Advantages

- Lower pressure drop**
 Better media construction results in lower pressure drop across element, promoting a longer element life.
- Proven Schroeder quality**
 Schroeder has been providing contamination solutions to the mining industry for over 50 years.
- Factory & field support**
 Dedicated specifically to the mining industry.

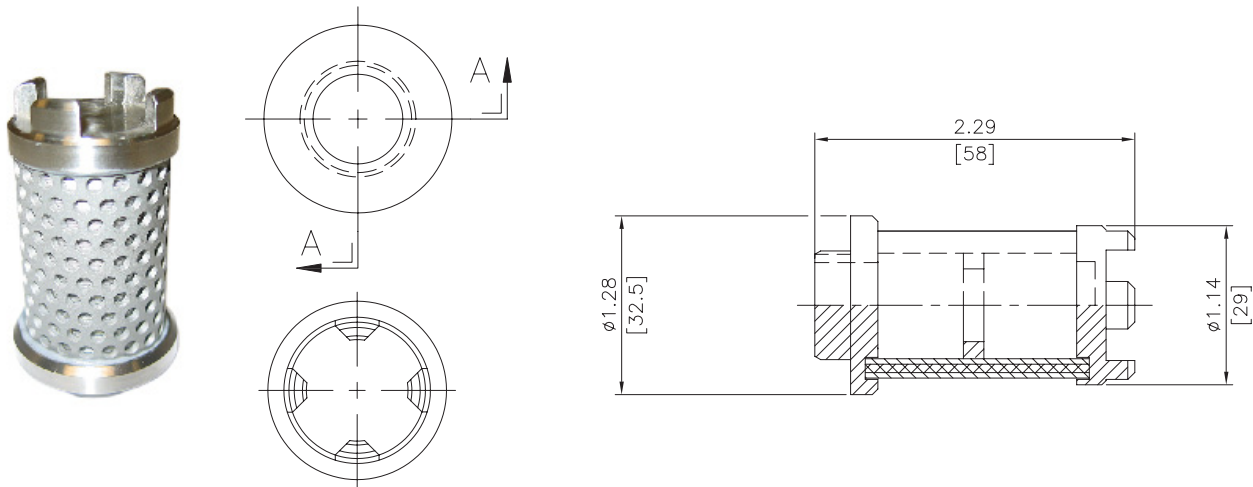
Schroeder
INDUSTRIES

580 West Park Road | Leetsdale, PA 15056
ph. 724.318.1100 | fax 724.318.1200

Longwall Shield Replacement Element

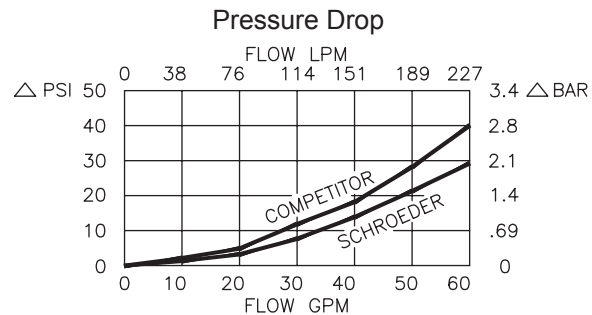
Schroeder Part Number: MSB-3070-225 (25 μ), MSB-3070-240 (40 μ), MSB-3070-280 (80 μ) & MSB-3070-2100 (100 μ)

Replacement for 4UC 3070-030 (25 μ), 4UC 3070-031 (40 μ), 4UC 3070-032 (80 μ) & 4UC 3070-042 (100 μ) elements



Technical Specifications

Max. Pressure:	5,000 psi (350 bar)
Max Differential Pressure:	5000 psid (350 bar)
Max Flow Rate:	52 GPM (200 L/min)
Filter Rating:	25/40/80/100 micron
Material:	Stainless Steel
End Caps, Support Tubes	
Support Ring	
Metal Mesh:	Stainless Steel Wrap



Advantages

- Lower pressure drop**
 Better media construction results in lower pressure drop across element, promoting longer life.
- Proven Schroeder quality**
 Schroeder has been providing contamination solutions to the mining industry for over 50 years.
- Factory & field support**
 Dedicated specifically to the mining industry.

Schroeder
INDUSTRIES

580 West Park Road | Leetsdale, PA 15056
 ph. 724.318.1100 | fax 724.318.1200